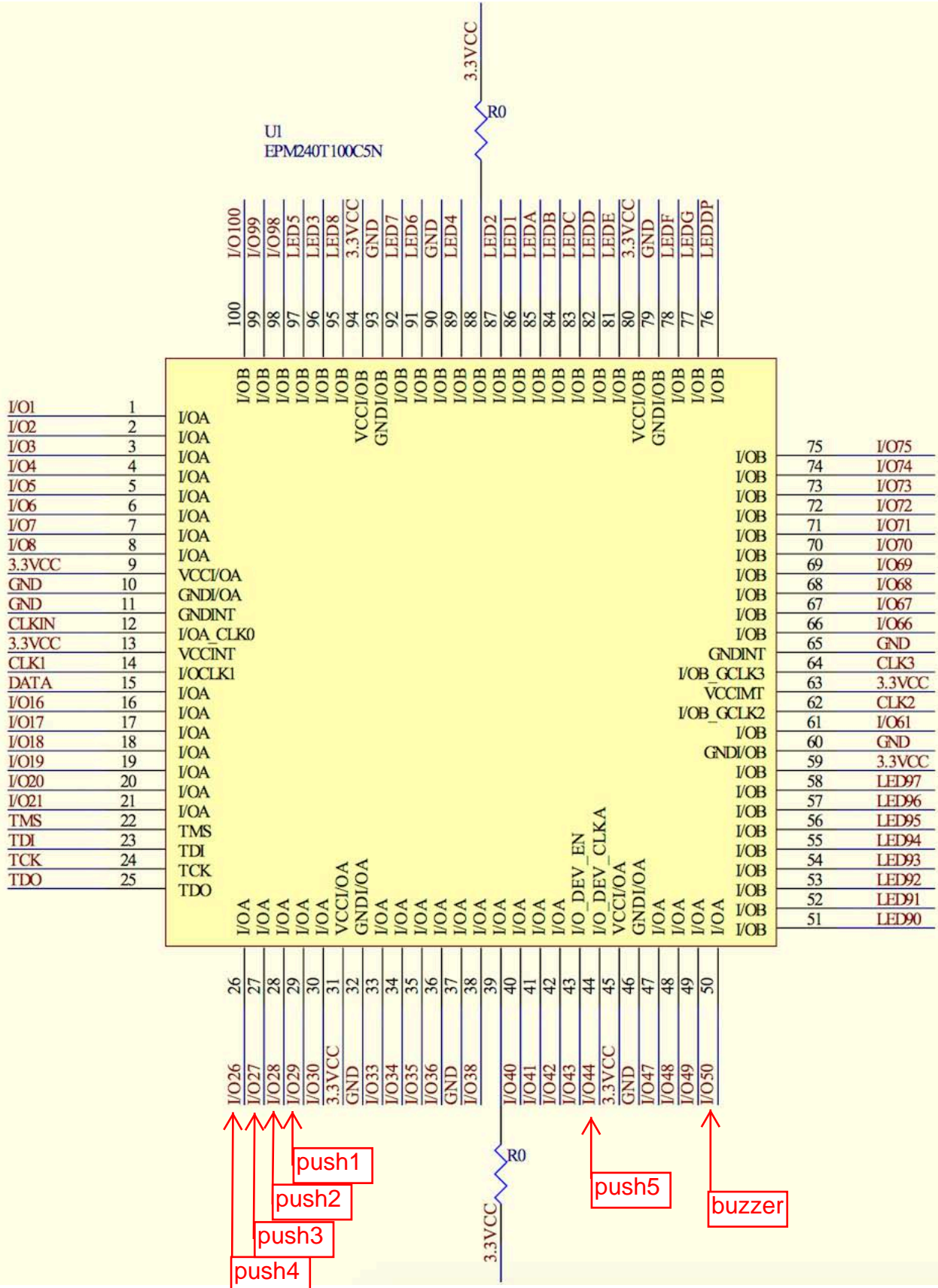
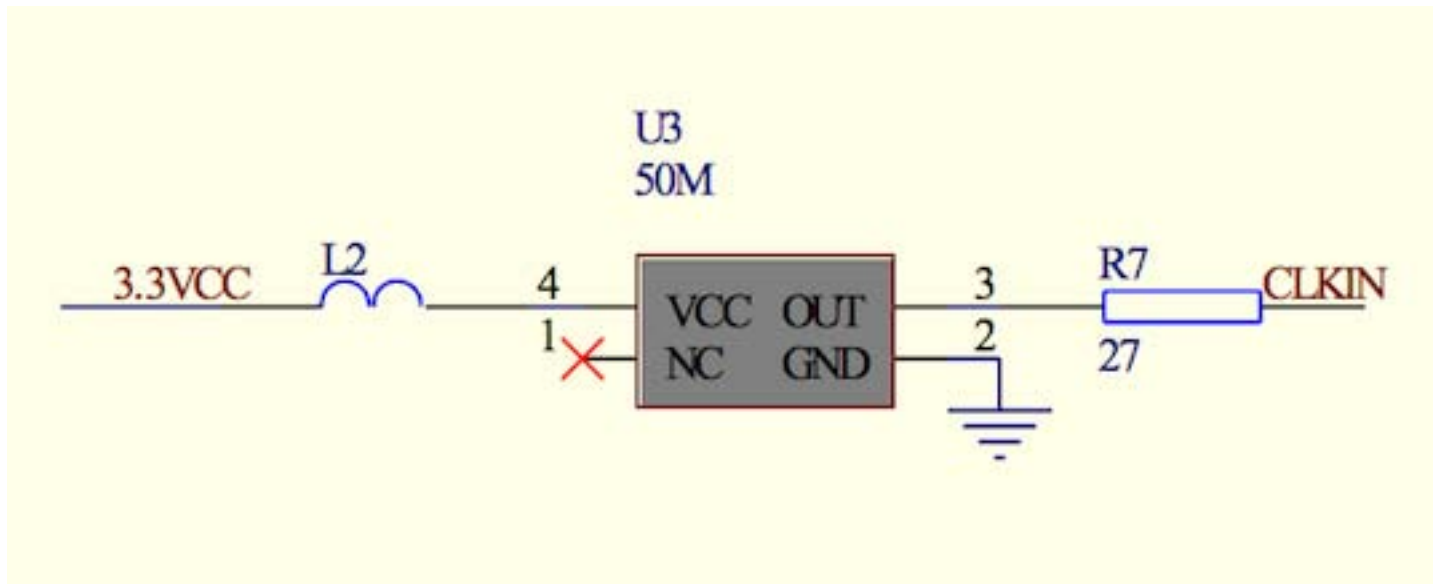


# ALTERA MAX II C-M240 Development Board

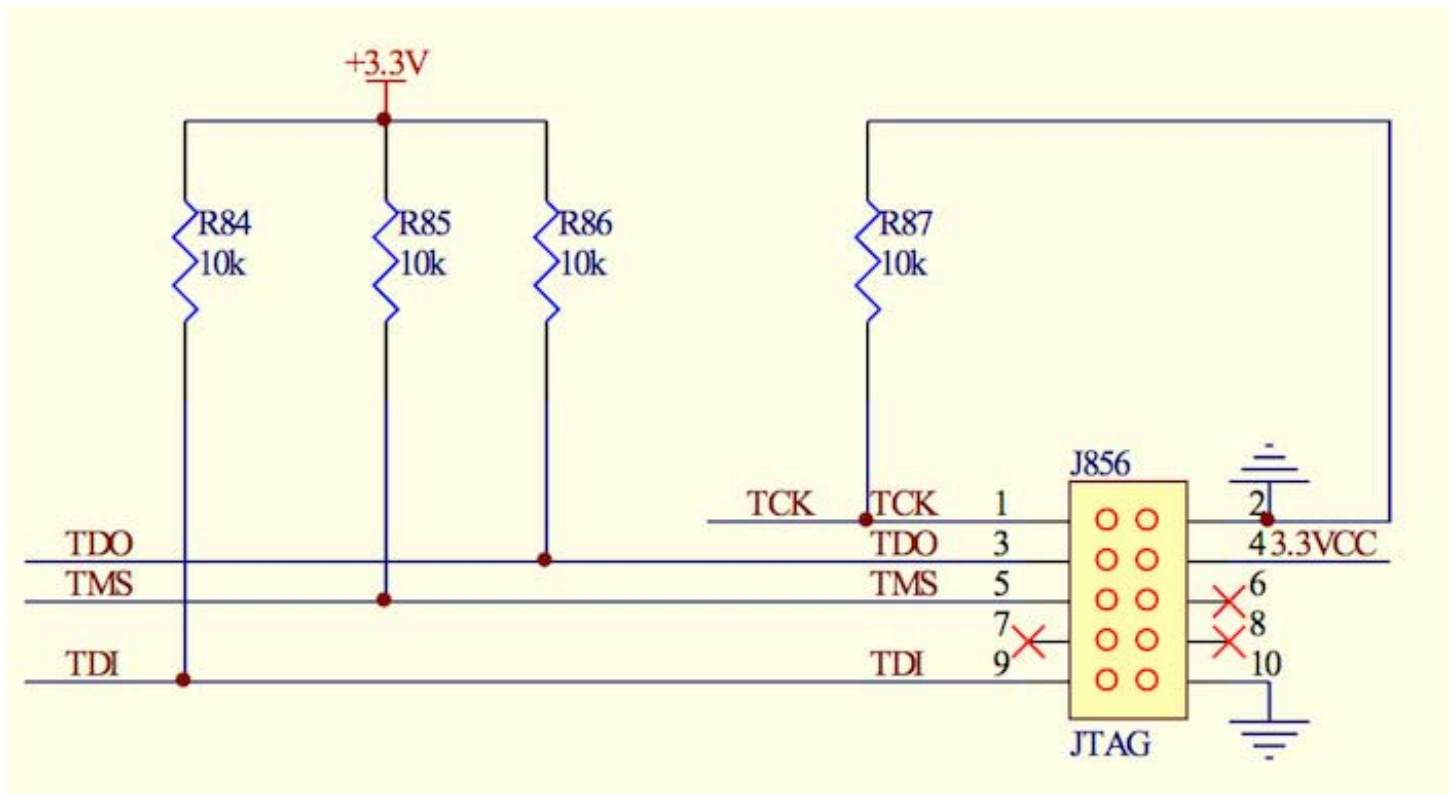


# ALTERA MAX II C-M240 Development Board

## CRYSTAL OSCILLATOR

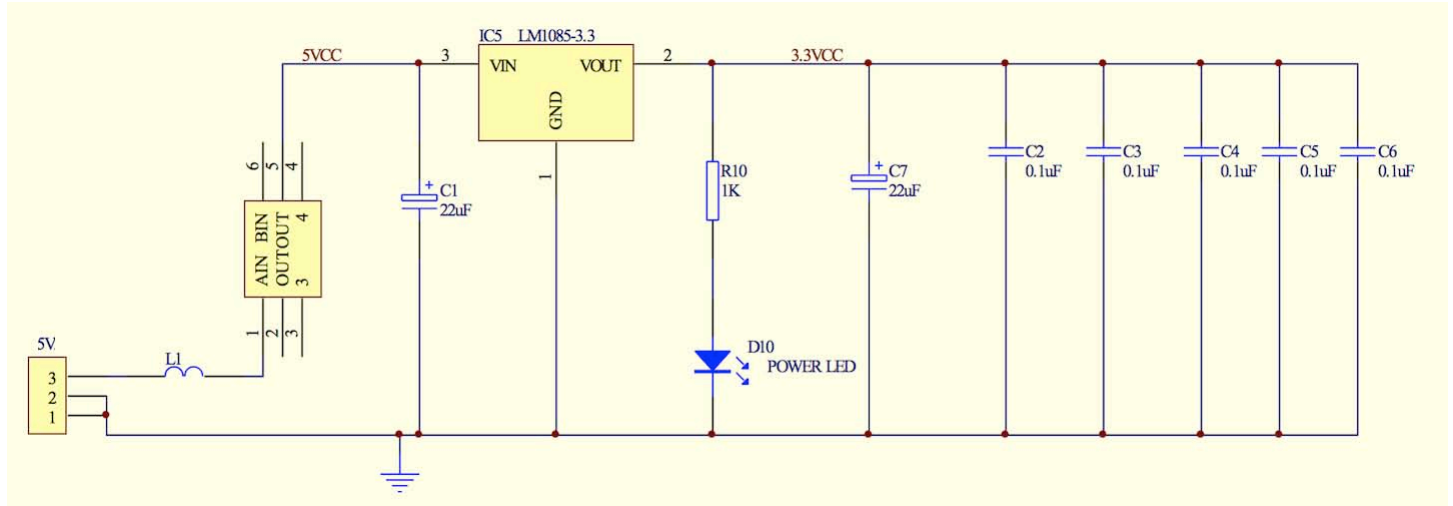


## JTAG BLASTER INTERFACE



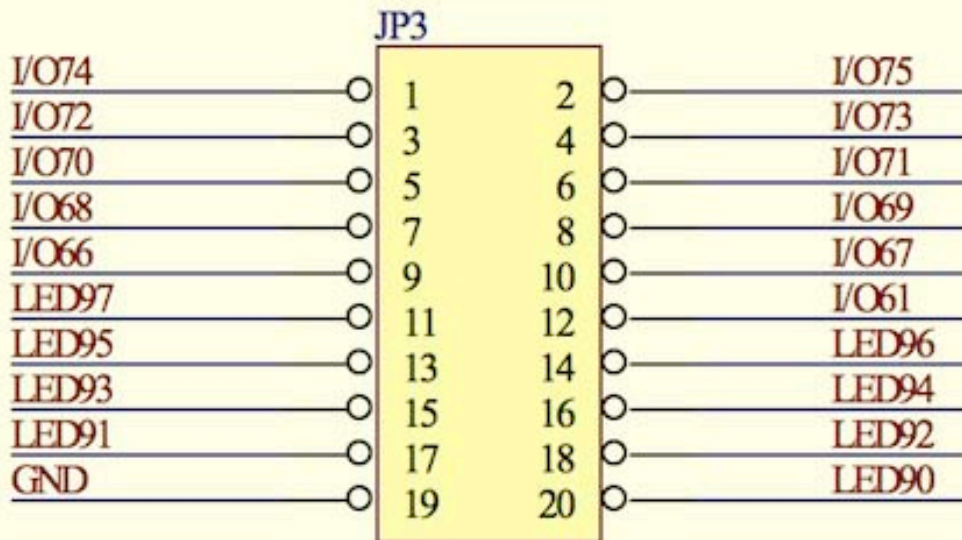
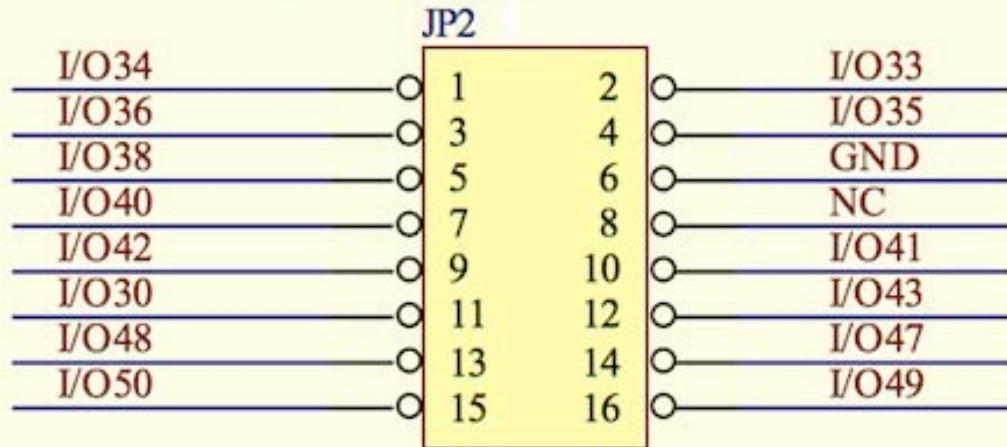
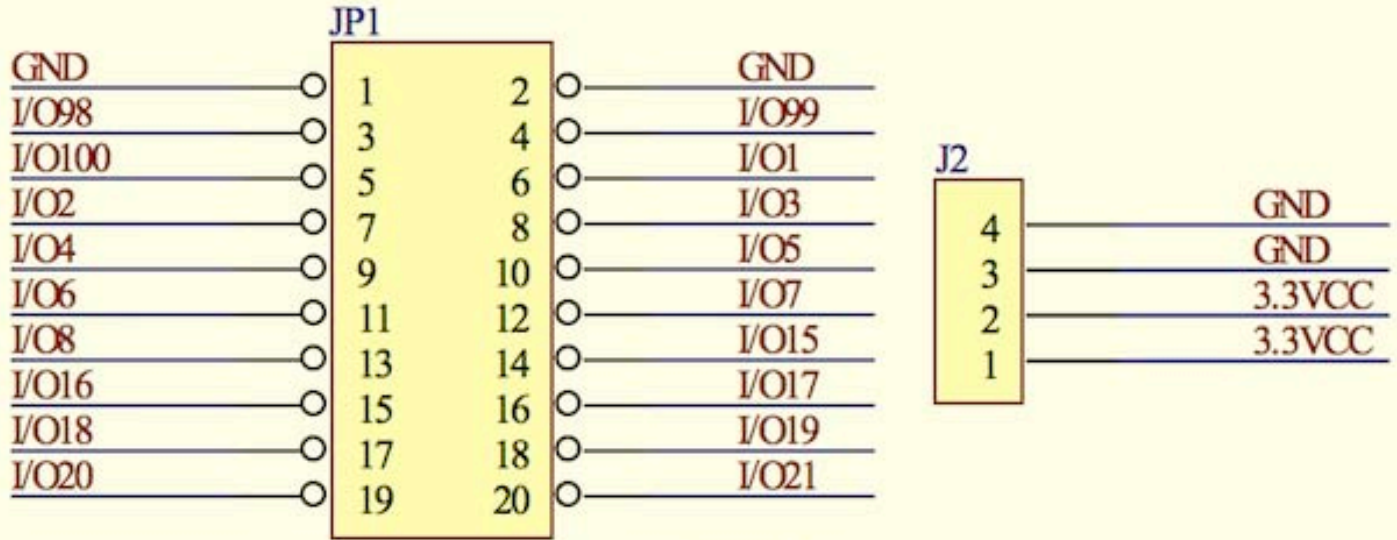
# ALTERA MAX II C-M240 Development Board

## POWER SUPPLY



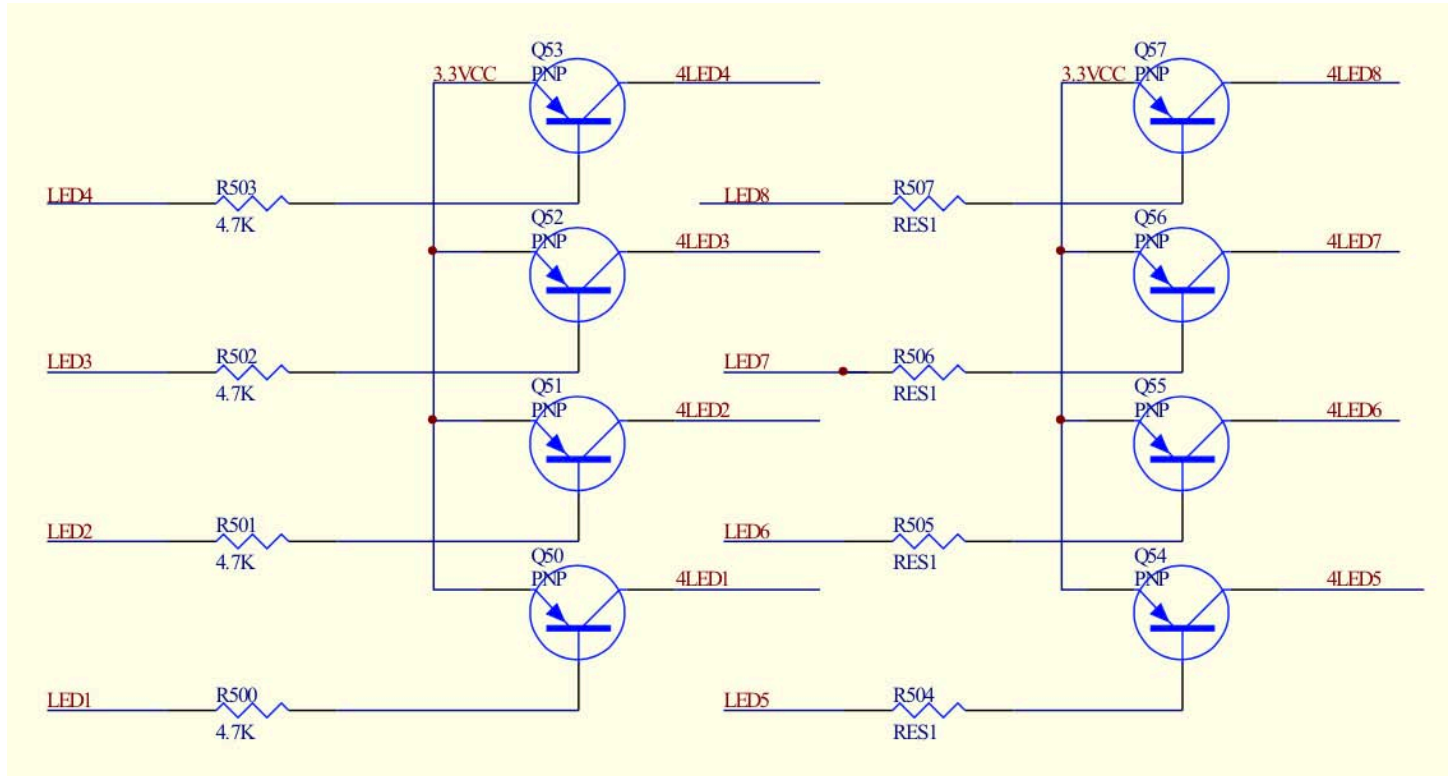
# ALTERA MAX II C-M240 Development Board

## PIN HEADERS



# ALTERA MAX II C-M240 Development Board

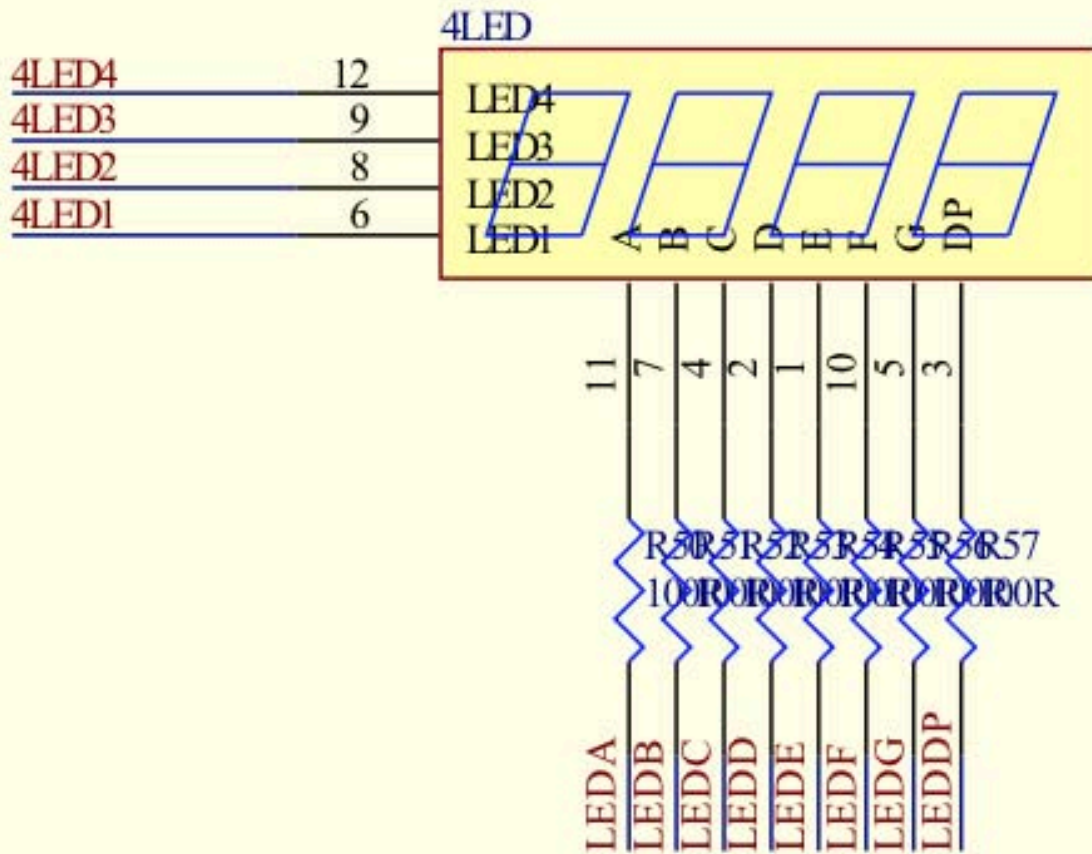
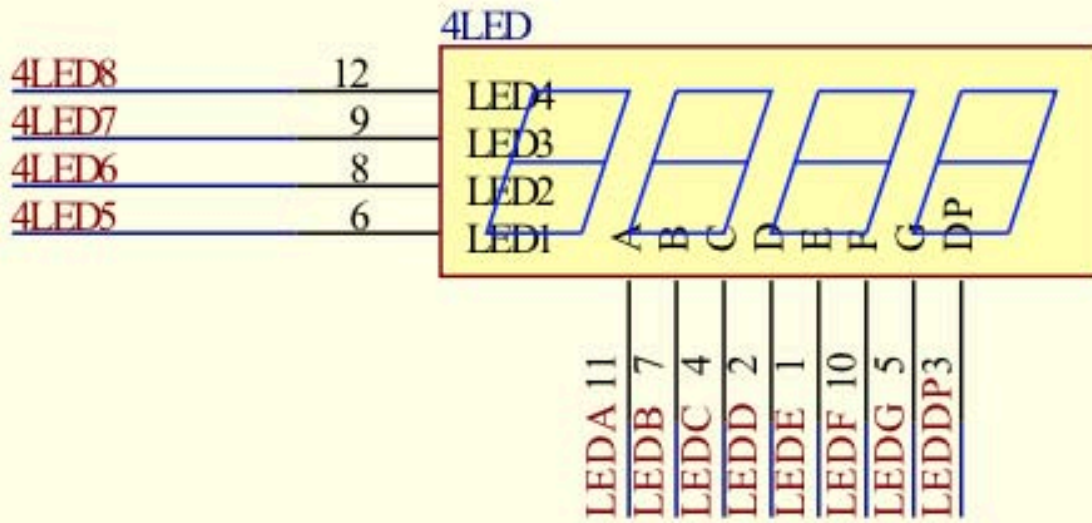
## DRIVER TRANSISTORS for SEVEN-SEGMENT LEDs





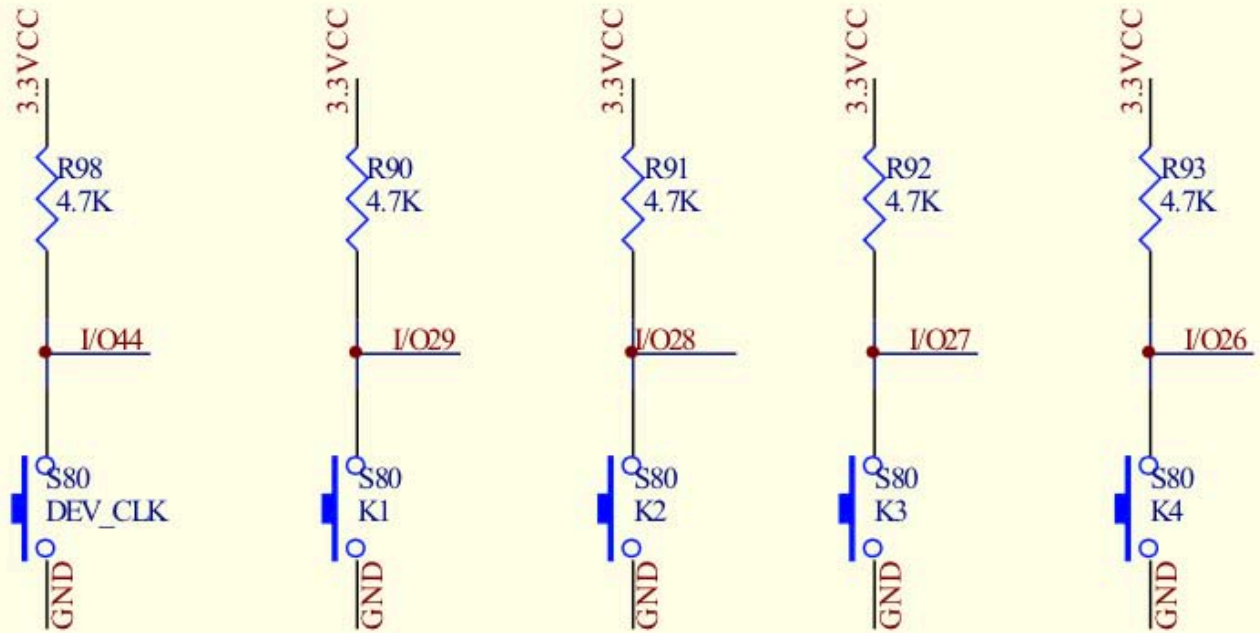
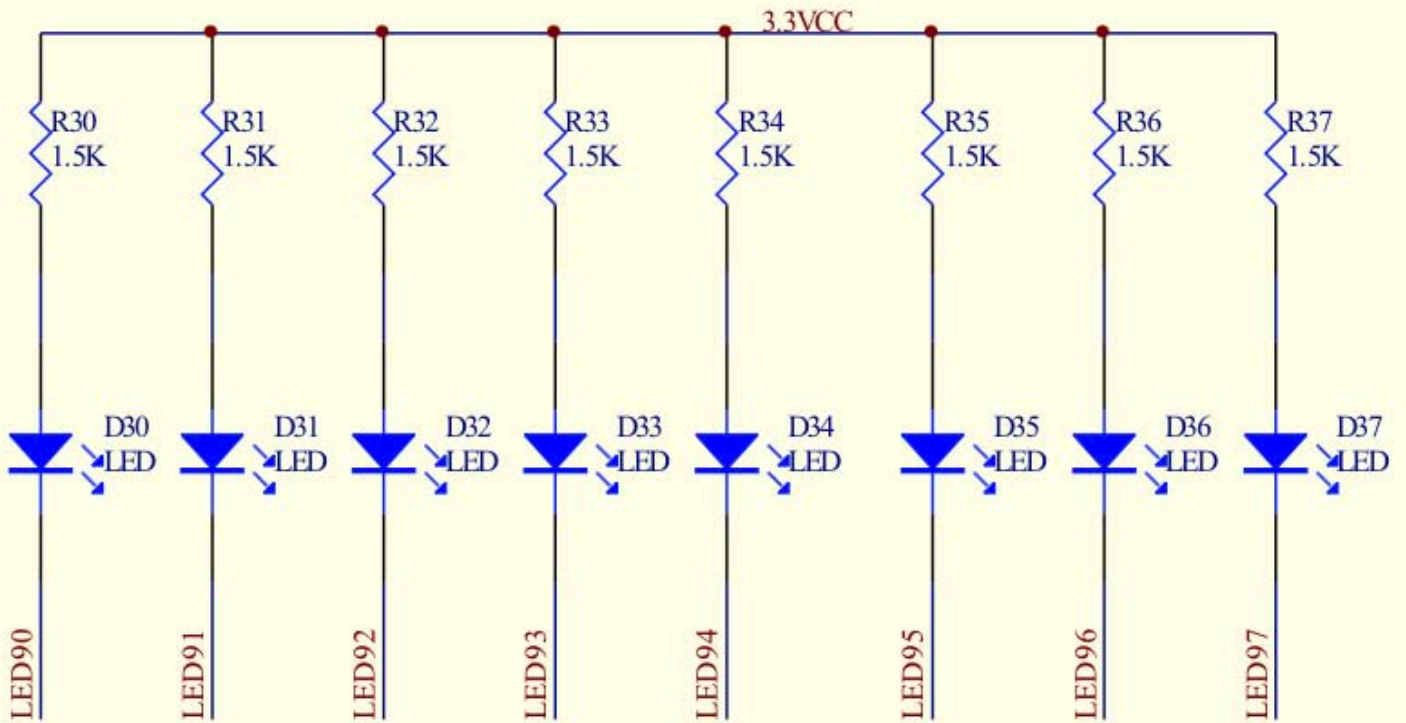
# ALTERA MAX II C-M240 Development Board

## SEVEN-SEGMENT LEDs



# ALTERA MAX II C-M240 Development Board

## LEDs and BUTTONS



# ALTERA MAX II C-M240 Development Board

## BUZZER

